

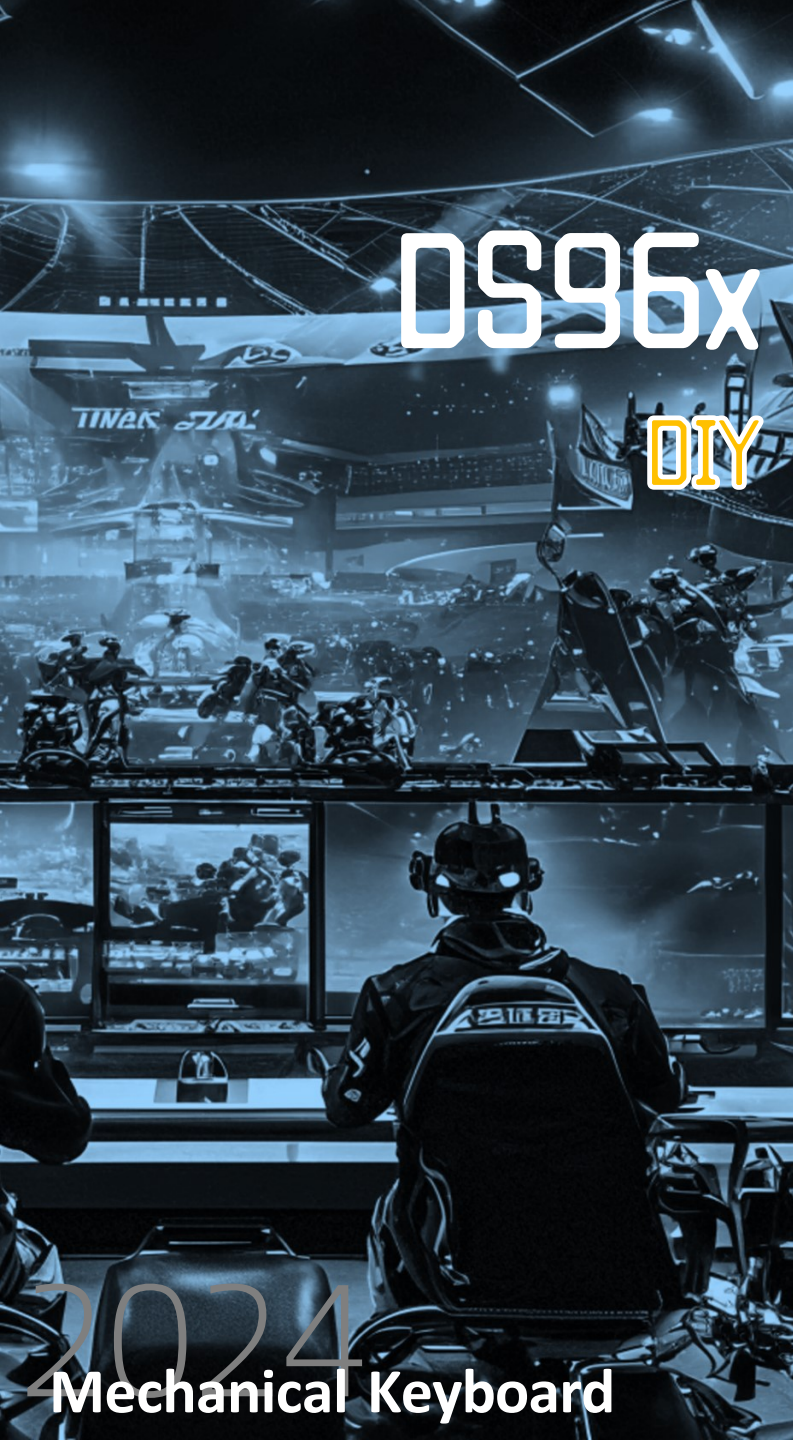


DIY series

2024
Mechanical Keyboard



0596x



DS96x

DIY

2024 Mechanical Keyboard





0596x

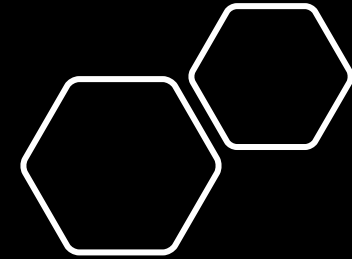
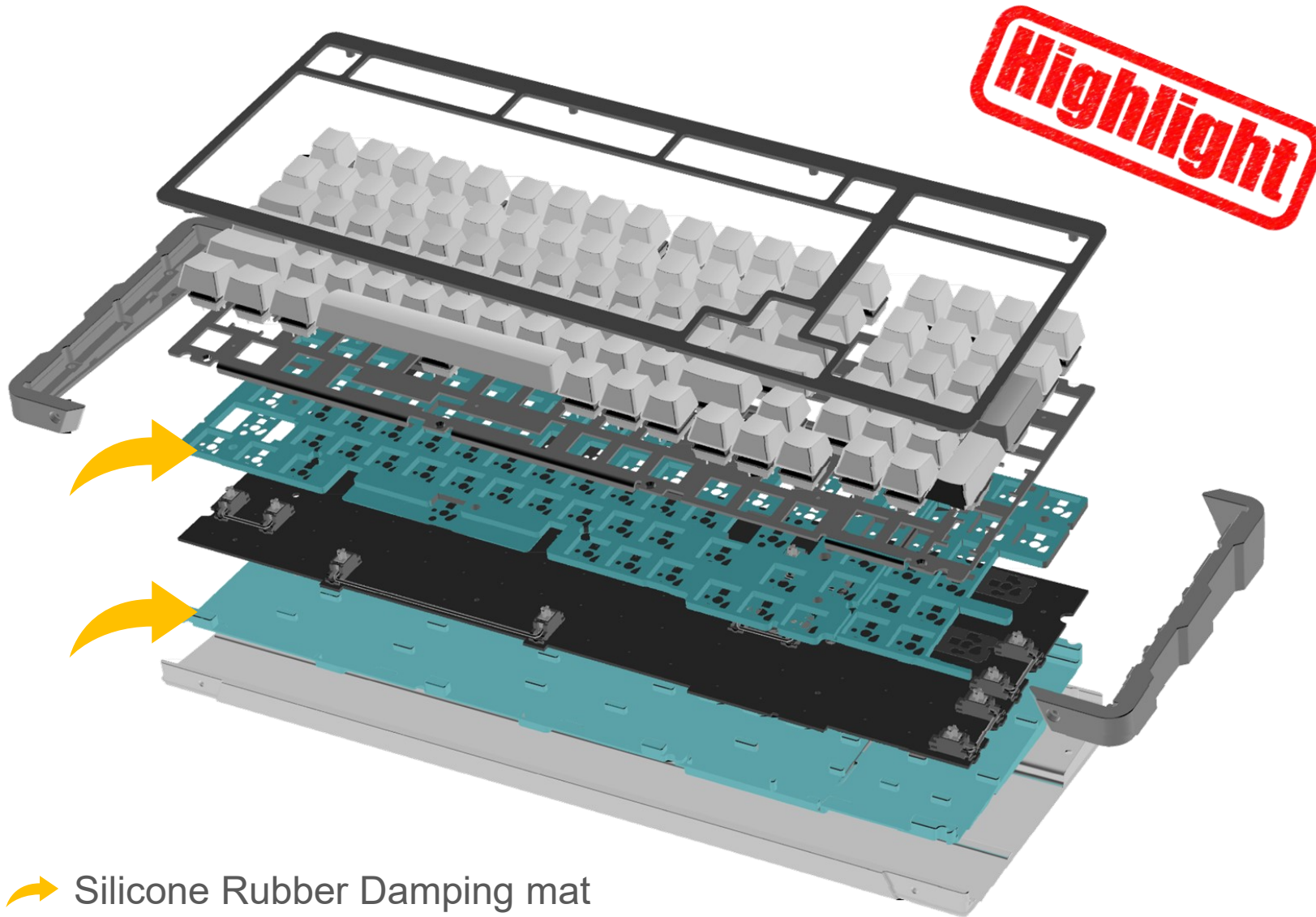
DIY

Key Features

- Double shot PBT/PC DSA Keycaps with long-lasting Dye-Sublimation legends.
- Equipped with a silicone rubber damping mat for vibration and hollow sound absorption, delivering a perfect representation of the tactile and sound feedback of the mechanical switches.
- With hot-swappable key switch sockets
- 99 keys reduced size layout from 108-key, supporting macOS, WINDOWS10 or above, and Linux.
- Triple Connection Modes: USB, Proprietary RF 2.4GHz, and Bluetooth 5.0.
- Software support Macro programming available.
- Anodized Aluminum Top housing available in Space Gray

2024

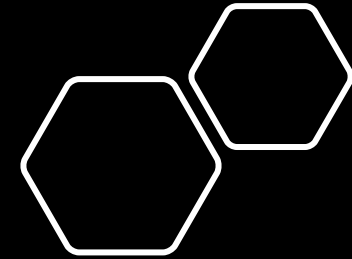
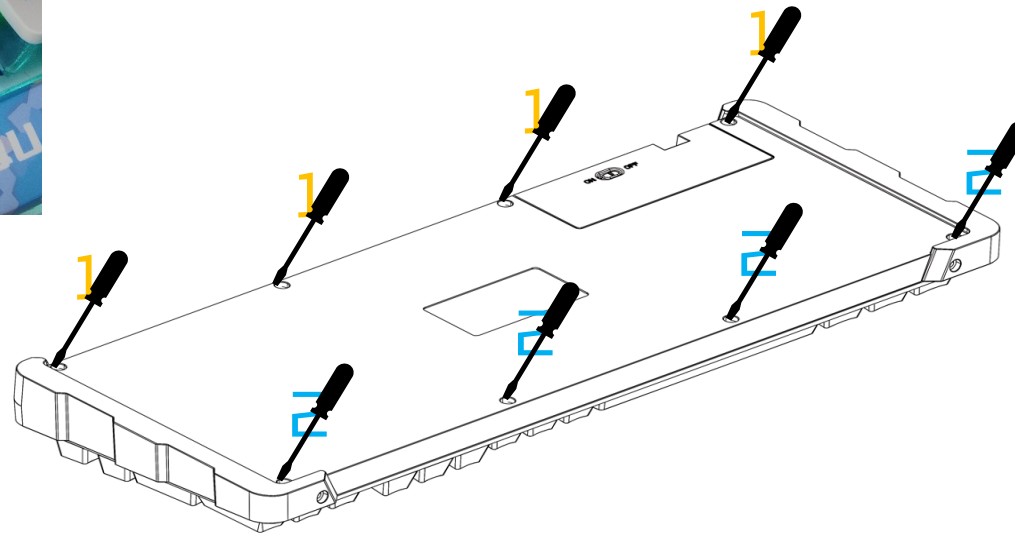
Mechanical Keyboard



- Silicone Rubber Damping mat
- Positioned between the switch plate and PCBA, it effectively absorbs vibrations, pinging, and hollow sounds generated by the springs inside each key switch, resulting in excellent sound and vibration dampening.



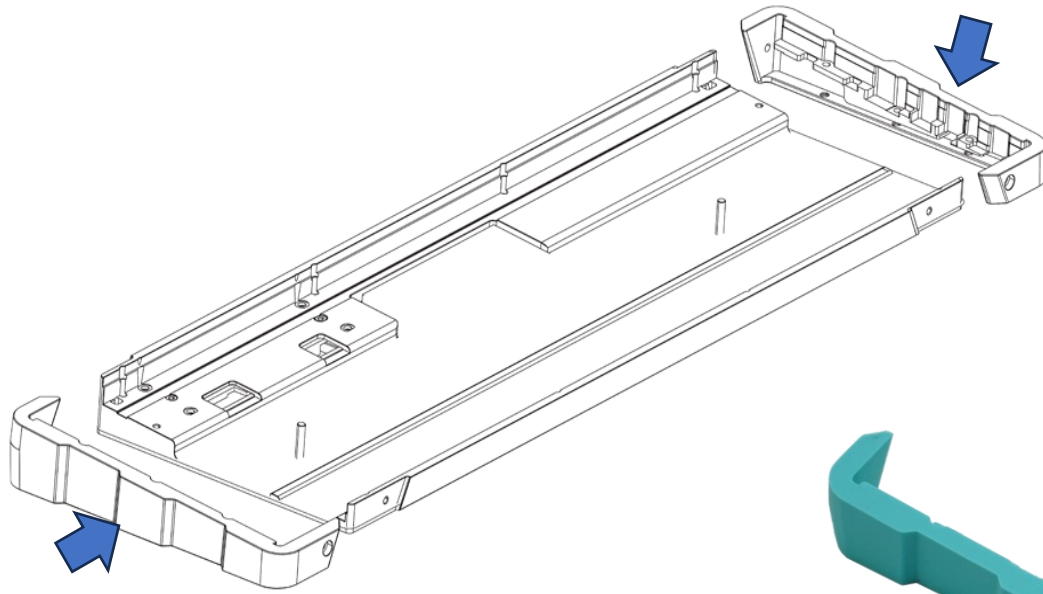
Highlight



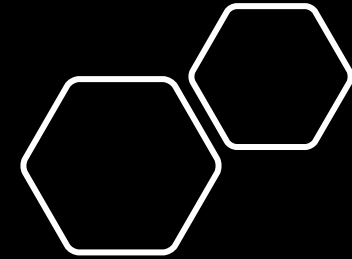
A simple yet robust structure, fully customizable

- Less is more; only 8 screws are required to secure the keyboard, making it easy to access the interior.
- With hot-swappable key switches design, users can easily customize their keyboards by swapping in different types of key switches.

2024



Highlight

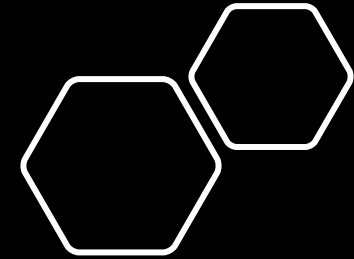


Featuring an innovative cushion design

- The colorful side bumper guard serves not only as a decorative element but also as a protective measure for this high-quality aluminum-built keyboard.
- Various material options are available, including Silicone Rubber, clear/milky Acrylic, Wood, and more, allowing for customization based on individual preferences.

RGB

- o 15 default backlit effects
- o Offers customizable backlit effects that can be adjusted and personalized using software.



Technical Data

[USB]

- o Input Voltage Range: 5V
- o Max current consumption:
 - RGB backlit ON = less than 500mA
 - RGB backlit OFF = 34mA

[Wireless]

- o Lithium Battery Capacity: 1000 mAH
- o RF
 - Working current: 8mA (no backlit)
 - Sleeping current: 75uA
- o Bluetooth
 - Working current: 5mA (no backlit)
 - Sleeping current: 75uA

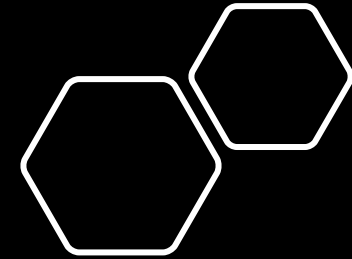
[Keyboard Polling rate]

- o USB and RF2.4GHz = 1ms;
- o Bluetooth 5.0 = 132ms

[Others]

- o Rechargeable 2400mAH Lithium Polymer Battery
 - fully charged = last for 4 Months*
- o Key strokes life: 50 million
- o Key Full Travel Distance: 4mm
- o Pre Travel Distance: 2mm
- o Storage temperature: -40°C to +55°C
- o Operating temperature: 0°C to +45°C
- o Operating humidity: 40% to 90%
- o Dimensions: 395 x 150 x 43mm
- o Approval and Compliance: FCC / CE / RoHS / REACH

**without backlit turned ON*



2024