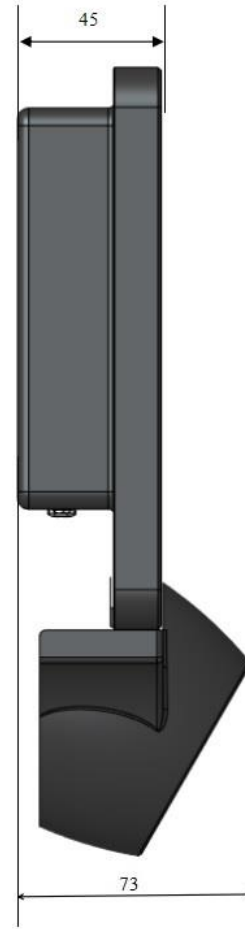
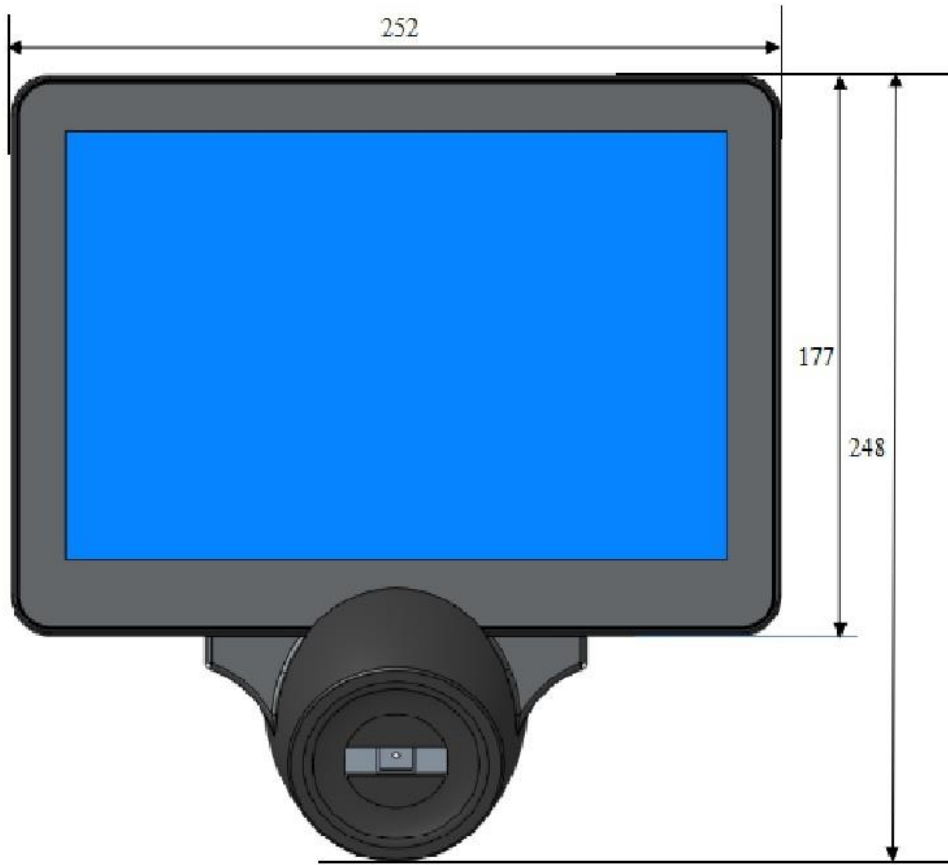


# Overall Dimensions



Unit in MM

Optional: MSR by USB

