

# POS-151Z

15.1" POS AIO Terminal

FENGYU



# POS-151Z

## 15.1" POS AIO Terminal



### Main Features

- 15.1" AIO terminals designed for POS and other industrial control
- Robust slim display made of tempered glass
- Motherboard is installed on the bottom fanless-design PC box. High-quality electronics industrial components for absolute reliability
- Robust dual die-cast arms interconnect the panel with the PC box
- Panel can be fully folded with the PC box to minimize the packaging volume
- Support Android platform, and Linux platform
- Clear and bright touch display, intuitive to operate. Full functionality even with wet fingers or latex gloves
- Second display can be installed between the two robust arms
- With USB-C ports on the hinge cover for easy service support function
- With removeable SSD cover for easy replacement of the NVMe SSD
- Can be equipped with optional magstripe reader, RFID reader, 32-key keypad and fingerprint reader





## POS-151Z Windows System

Features	Model	POS-151Z-S64	POS-151Z-SI3	POS-151Z-SI5
Processor	CPU	Intel® Celeron® Processor J6412	Intel® i3-1115G4	Intel® i5-1135G7
	Frequency	Up to 2.6GHz	Up to 4.1GHz	Up to 4.2GHz
Memory	Technology	Support DDR4 3200MHz, 1*non-ECC SO-DIMM Slot		
	Max. Capacity	Up to 32GB		
Display	Controller	Intel HD Graphics	Intel Iris Xe Graphics	
	Graphic Memory	Shared System Memory up to 1.7GB SDRAM		
	Main Display Resolution	15" (1024 x 768), ratio 4:3		
	Active Area	304.128 x 228.096(mm)		
	Luminance	350cd/m2		
	Viewing Angle (R/ L/ U/ B)	88/ 88/ 88/ 88		
	Touch Panel	PCAP, USB protocol		
	Second Display 1	HDMI (Type-A) up to 4096x2160		
	Second Display 2	Optional: DB15 VGA (with built-in power, replacing 1 x DB9)	DP++ Port: up to 4096x2160@60Hz	
	Ethernet	Controller	Realtek GBE LAN Chip (RJ45, 10/100/1000 Mbps)	
Storage	Primary	SATA III SSD 120GB (Default), with SSD cover, easily replaced		
	Secondary	M.2 (NGFF) Key-B/B+M Slot (SATA SSD, 2242/2260/2280)	M.2 (NGFF) Key-M Slot (PCIe x4 NVMe SSD, 2242/2280)	
I/O Interface	Main USB	4 x USB-A 3.0; 4 x USB-A 2.0		
	USB Second Display	USB-C (on the base of the top cover)		
	Service Support	USB-C (on the back of the panel cover)		
	Audio	Line-Out + MIC 2in1 3.5mm Jack		
	Serial	2 x DB9 COM		
	VGA (Optional)	Optional: DB15 VGA with built-in 12V power (replacing 1 x DB9)		
	DC Out	12V, 5.5 x 2.1mm type, for secondary display		
Powered USB (Optional)	Optional: 1 x USB 12V; 1 x USB 24V (replacing 1 x DB9)			
Options	Side MSR / Keypad	With optional 24-key programmable keypad / Magstripe reader / RFID reader / Fingerprint reader		
Power Adaptor	Input	Universal AC 100~240V, 50/60 Hz		
	Output	DC +12V 5A	DC +12V 7A	
Environment	Storage Temperature	-15°C ~ 55°C		
	Operation Temperature	-0°C ~ 40°C		
	Operation Humidity	10% ~ 85%		
Dimension	Panel (w/o stand)	365.8 x 351 x 251 (mm)		

- Heng Yu Technology (HK) Limited
- <http://www.hengyu-tech.com>

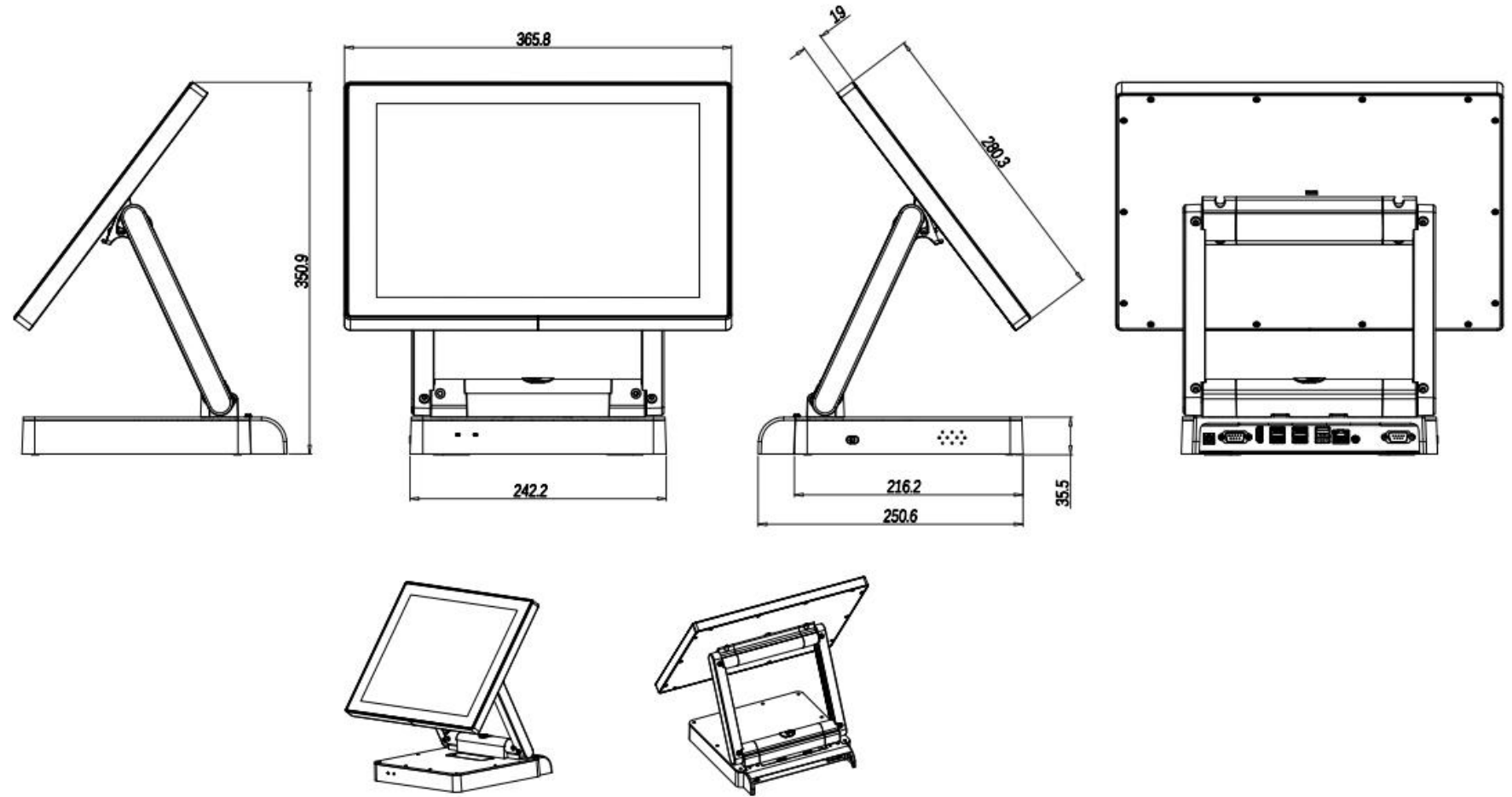
## POS-151Z Android System

Features	Model	<b>POS-151Z-S35</b>
Processor	CPU	ARM Rockchip RK3568, Quad-core Cortex-A55
	Frequency	Up to 2.0GHz
Primary Storage	SSD	32GB eMMC
Display	Controller	Mali-G52
	Main Display Resolution	15" (1024 x 768), ratio 4:3
	Active Area	304.128 x 228.096(mm)
	Luminance	350cd/m2
	Viewing Angle (R/ L/ U/ B)	88/ 88/ 88/ 88
	Touch Panel	PCAP, USB protocol
Ethernet	Controller	Gigabit Ethernet
I/O Interface	Main USB	4 x USB-A 3.0; 4 x USB-A 2.0
	USB Second Display	USB-C (on the base of the top cover)
	Service Support	USB-C (on the back of the panel cover)
	Audio	Line-Out + MIC 2in1 3.5mm Jack
	Serial	2 x DB9 COM
	VGA (Optional)	Optional: DB15 VGA with built-in 12V power (replacing 1 x DB9)
	DC Out	12V, 5.5 x 2.1mm type, for secondary display
	Powered USB (Optional)	Optional: 1 x USB 12V; 1 x USB 24V (replacing 1 x DB9)
Options	Side MSR / Keypad	With optional 24-key programmable keypad / Magstripe reader / RFID reader / Fingerprint reader
Power Adaptor	Input	Universal AC 100~240V, 50/60 Hz
	Output	DC +12V 5A
Environment	Storage Temperature	-15°C ~ 55°C
	Operation Temperature	-0°C ~ 40°C
	Operation Humidity	10% ~ 85%
Dimension	Panel (w/o stand)	365.8 x 351 x 251 (mm)

- Heng Yu Technology (HK) Limited
- <http://www.hengyu-tech.com>

## POS-151Z 2D Drawing

---



- Heng Yu Technology (HK) Limited
- <http://www.hengyu-tech.com>