

# POS - 156M2

## 15.6" POS AIO Terminal



**FENGYU**

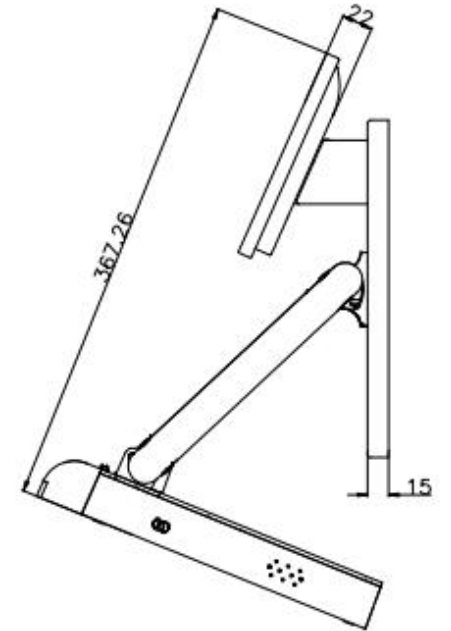
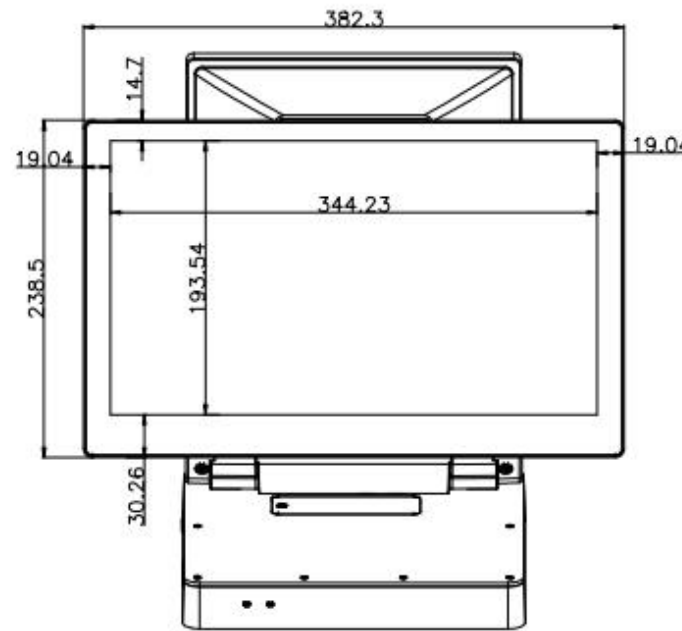
## Main Features

- 15.6" AIO terminals designed for POS and other industrial control
- Robust slim display made of tempered glass
- Motherboard is installed on the bottom fanless-design PC box. High-quality electronics industrial components for absolute reliability
- Robust dual die-cast arms interconnect the panel with the PC box
- Panel can be fully folded with the PC box to minimize the packaging volume
- Support several Intel CPU platforms, Celeron, i3-Core, i5-Core and i7-Core
- Clear and bright touch display, intuitive to operate. Full functionality even with wet fingers or latex gloves
- Second display can be installed between the two robust arms
- With USB-C ports on the hinge cover for easy service support function
- With removeable SSD cover for easy replacement of the NVMe SSD
- Can be equipped with optional magstripe reader, RFID reader, 32-key keypad and fingerprint reader

**Screen Size:** 15.6"

**Resolution:** 1366 × 768

**Ratio:** 16 : 9



## 01 / Flexible Design

- Panel can be fully folded with the PC box to minimize the packaging volume.
- It can save the environment and for easier transportation.



## 02 / Sensor

- Ambient light sensor allows system automatically adjust the brightness of the screen according to the environment.

## 03 / Various accessories add-on options

- Magstripe Reader: M3 = 3-track MSR reader
- 2-line Customer Display: C = CD220B(2 x 20 LCM)
- 2nd Display: DU7 = 7" USB Display, DU11 = 10.1" USB Display, DH11 = 10.1" HDMI Display

POS-156M2-  
**M3-C-DH11**



POS-156M2-M3



POS-156M2-C



POS-156M2-DU101B



## 04 / 2nd Display Optional mounting methods

- First option is: mount to the arms of the stand
- Second option is: mount to the top of the back cover

① POS-156M2-DU101B



② POS-156M2-DU101T





## POS-156M2-12thCPU Windows System

Features	Model	POS-156M2-N95	POS-156M2-SI3	POS-156M2-SI5	POS-156M2-SI7
Processor	CPU	Intel® Alder Lake-N Series Processor	Intel® 12th i3-1215U	Intel® 12th i5-1235U	Intel® 12th i7-1255U
	Number of Core	4E	2P4E	2P8E	2P8E
	Frequency	Up to 3.40GHz	Up to 4.4GHz/3.3GHz	Up to 4.4GHz/3.3GHz	Up to 4.7GHz/3.5GHz
Memory	Technology	Support DDR4 3200MHz, 1*non-ECC SO-DIMM Slot			
	Max. Capacity	Up to 16GB	Up to 32GB		
Display	Controller	Intel UHD Graphics	Intel UHD Graphics	Intel Iris Xe Graphics	Intel Iris Xe Graphics
	Graphic Memory	Up to 16 EUs, 1.20 GHz	Up to 64 EUs, 1.10 GHz	Up to 80 Eus, 1.20 GHz	Up to 96 Eus, 1.25 GHz
	Main Display Resolution	15.6" (1366 x 768), ratio 16:9			
	Active Area	344.232 x 193.536 (mm)			
	Luminance	220cd/m2			
	Viewing Angle (R/ L/ U/ B)	45/ 45/ 20/ 40			
	Touch Panel	PCAP, USB protocol			
	Second Display 1	HDMI (Type-A) up to 4096 x 2160			
Second Display 2	DP++ Port: up to 4096 x 2160@60Hz				
Ethernet	Controller	Realtek GBE LAN Chip (RJ45, 10/100/1000 Mbps)			
Storage	Primary	M.2 M-Key 2280, PCIe x1/ SATA3.0 SSD Auto Detect	M.2 (NGFF) Key-M Slot (PCIex4 NVMe SSD, 2242/2280)		
I/O Interface	Main USB	2 x USB-A 3.0, 2 x USB-A 2.0			
	USB Second Display	USB-C (on the base of the top cover)			
	Service Support	USB-C (on the back of panel cover)			
	Audio	Line-Out + MIC 2 in 1 3.5mm Jack			
	Serial	2 x DB9 COM			
	VGA (Optional)	Optional: DB15 VGA with built-in 12V power (replacing 1 x DB9)			
	DC Out	DC Out 12V, 5.5 x 2.1mm type, for secondary display			
	Powered USB (Optional)	Optional: 1 x USB 12V, 1 x USB 24V (replacing 1 x DB9)			
Options	Side MSR / Keypad	With optional 24-key programmable keypad / Magstripe reader / RFID reader / Fingerprint reader			
Power Adaptor	Input	Universal AC 100~240V, 50/60 Hz			
	Output	DC +12V 5A	DC +12V 7A		
Environment	Storage Temperature	-15°C ~ 55°C			
	Operation Temperature	-0°C ~ 40°C			
	Operation Humidity	10% ~ 85%			
Dimension	Panel	380 x 337 x 251 (mm)			

- Heng Yu Technology (HK) Limited
- <http://www.hengyu-tech.com>