

POS - 156M2

15.6" POS AIO Terminal



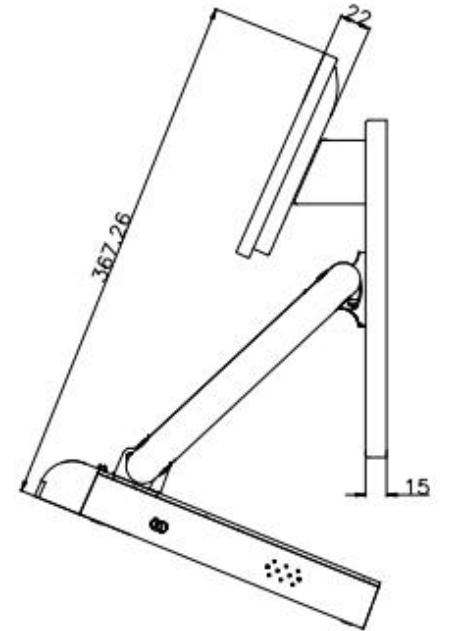
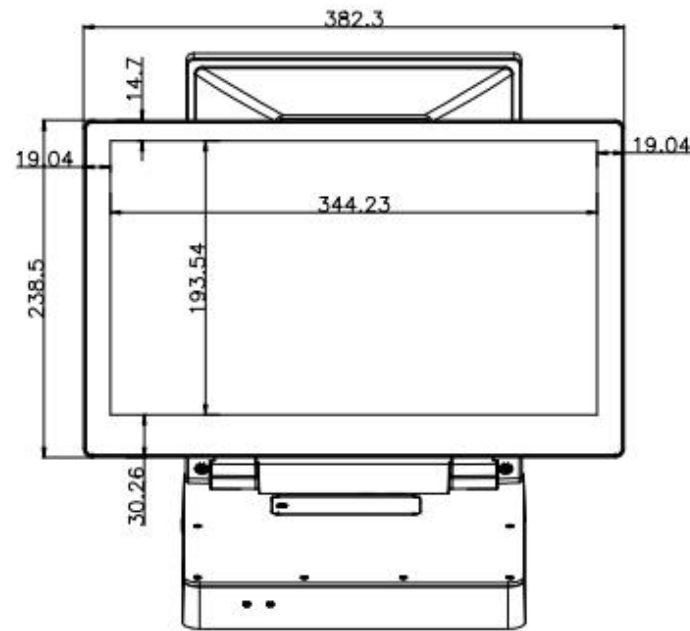
Main Features

- 15.6" AIO terminals designed for POS and other industrial control
- Robust slim display made of tempered glass
- Motherboard is installed on the bottom fanless-design PC box. High-quality electronics industrial components for absolute reliability
- Robust dual die-cast arms interconnect the panel with the PC box
- Panel can be fully folded with the PC box to minimize the packaging volume
- Support several Intel CPU platforms, Celeron, i3-Core and i5-Core
- Clear and bright touch display, intuitive to operate. Full functionality even with wet fingers or latex gloves
- Second display can be installed between the two robust arms
- With USB-C ports on the hinge cover for easy service support function
- With removeable SSD cover for easy replacement of the NVMe SSD
- Can be equipped with optional magstripe reader, RFID reader, 32-key keypad and fingerprint reader

Screen Size: 15.6"

Resolution: 1366 × 768

Ratio: 16 : 9



01 / Flexible Design

- Panel can be fully folded with the PC box to minimize the packaging volume.
- It can save the environment and for easier transportation.



02 / SENSOR

- Ambient light sensor allows system automatically adjust the brightness of the screen according to the environment.

03 / Various accessories add-on options

- Magstripe Reader: M3 = 3-track MSR reader
- 2-line Customer Display: C = CD220B(2 x 20 LCM)
- 2nd Display: DU7 = 7" USB Display, DU11 = 10.1" USB Display, DH11 = 10.1" HDMI Display

POS-156M2-
M3-C-DH11



POS-156M2-M3



POS-156M2-C



POS-156M2-DU101B



04 / 2nd Display Optional mounting methods

- First option is: mount to the arms of the stand
- Second option is: mount to the top of the back cover

① POS-156M2-DU101B



② POS-156M2-DU101T





POS-156M2 Windows System

Features	Model	POS-156M2-S64	POS-156M2-SI3	POS-156M2-SI5
Processor	CPU	Intel® Celeron® Processor J6412	Intel® i3-1115G4	Intel® i5-1135G7
	Frequency	Up to 2.6GHz	Up to 4.1GHz	Up to 4.2GHz
Memory	Technology	Support DDR4 3200MHz, 1*non-ECC SO-DIMM Slot		
	Max. Capacity	Up to 32GB		
Display	Controller	Intel UHD Graphics	Intel UHD Graphics	Intel Iris Xe Graphics
	Graphic Memory	Shared System Memory up to 1.7GB SDRAM		
	Main Display Resolution	15.6" (1366 x 768), ratio 16:9		
	Active Area	344.232 x 193.536 (mm)		
	Luminance	220cd/m2		
	Viewing Angle (R/ L/ U/ B)	45/ 45/ 20/ 40		
	Touch Panel	PCAP, USB protocol		
	Second Display 1	HDMI (Type-A) up to 4096 x 2160		
	Second Display 2	Optional: DB15 VGA (with built-in power, replacing 1 x DB9)	DP++ Port: up to 4096 x 2160@60Hz	
Ethernet	Controller	Realtek GBE LAN Chip (RJ45, 10/100/1000 Mbps)		
Storage	Primary	SATA III SSD 120GB (Default), with SSD cover, easily replaced		
	Secondary	M.2 (NGFF) Key-B/B+M Slot (SATA SSD, 2242/2260/2280)	M.2 (NGFF) Key-M Slot (PCIex4 NVMe SSD, 2242/2280)	
I/O Interface	Main USB	4 x USB-A 3.0, 2 x USB-A 2.0		
	USB Second Display	USB-C (on the base of the top cover)		
	Service Support	USB-C (on the back of panel cover)		
	Audio	Line-Out + MIC 2 in 1 3.5mm Jack		
	Serial	2 x DB9 COM		
	VGA (Optional)	Optional: DB15 VGA with built-in 12V power (replacing 1 x DB9)		
	DC Out	DC Out 12V, 5.5 x 2.1mm type, for secondary display		
Powered USB (Optional)	Optional: 1 x USB 12V, 1 x USB 24V (replacing 1 x DB9)			
Options	Side MSR / Keypad	With optional 24-key programmable keypad / Magstripe reader / RFID reader / Fingerprint reader		
Power Adaptor	Input	Universal AC 100~240V, 50/60 Hz		
	Output	DC +12V 5A	DC +12V 7A	
Environment	Storage Temperature	-15°C ~ 55°C		
	Operation Temperature	-0°C ~ 40°C		
	Operation Humidity	10% ~ 85%		
Dimension	Panel	380 x 337 x 251 (mm)		

- Heng Yu Technology (HK) Limited
- <http://www.hengyu-tech.com>

POS-156M2 Android System

Features	Model	POS-156M2-S35
Processor	CPU	ARM Rockchip RK3568, Quad-core Cortex-A55
	Frequency	Up to 2.0GHz
Primary Storage	SSD	32GB eMMC
Display	Controller	Mali-G52
	Main Display Resolution	15.6" (1366 x 768), ratio 16:9
	Active Area	344.232 x 193.536(mm)
	Luminance	220cd/m2
	Viewing Angle (R/ L/ U/ B)	45/ 45/ 20/ 40
	Touch Panel	PCAP, USB protocol
Ethernet	Controller	Gigabit Ethernet
I/O Interface	Main USB	4 x USB-A 3.0; 4 x USB-A 2.0
	USB Second Display	USB-C (on the top of the back cover)
	Service Support	USB-C (on the side of the back cover)
	Audio	Line-Out + MIC 2in1 3.5mm Jack
	Serial	2 x DB9 COM
	VGA (Optional)	Optional: DB15 VGA with built-in 12V power (replacing 1 x DB9)
	DC Out	DC Out 12V, 5.5 x 2.1mm type, for secondary display
	Powered USB (Optional)	Optional: 1 x USB 12V; 1 x USB 24V (replacing 2 x DB9)
Options	Side MSR / Keypad	With optional 24-key programmable keypad / Magstripe reader / RFID reader / Fingerprint reader
Power Adaptor	Input	Universal AC 100~240V, 50/60 Hz
	Output	DC +12V 5A
Environment	Storage Temperature	-15°C ~ 55°C
	Operation Temperature	-0°C ~ 40°C
	Operation Humidity	10% ~ 85%
Dimension	Panel (w/o stand)	380 x 337 x 251(mm)

- Heng Yu Technology (HK) Limited
- <http://www.hengyu-tech.com>